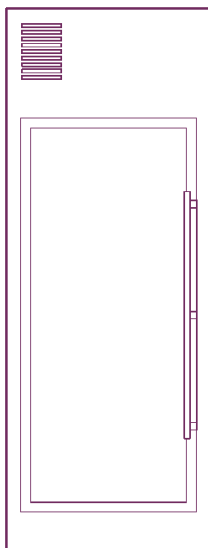


WINE LIBRARY

Modular refrigerated displays for wine bottles



Brera Wine Library is a new way to interpret the space and a new way to store wine. Cellars, wine showrooms and restaurants find this innovative bottle display ideal for all storage needs and requirements.

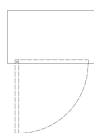
The stainless steel structure of this glass unit is the perfect frame for your wine bottles; it will add value and style to your collection and can be customized in different colours.

Additionally, the full-length glass doors and interior LED lighting system (white 6000K led light as standard, warm 2700K led light on request) with dimmer for light intensity regulation included, will make your bottles of wine irresistible.

To meet all storage needs and requirements, Wine Library is available in different heights, 220 cm and 260 cm, both with depth 55 cm and with different bottle storage capacity.

Each door is independent with the possibility to set different temperatures inside the cabinet; this allows to optimally store various types of wine, arranging them as per any need or desire thanks to the different types of bottle-handling structures available (not included).

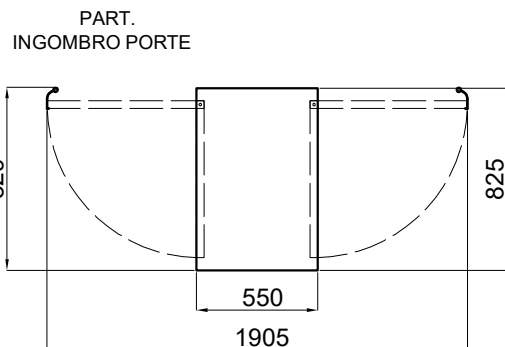
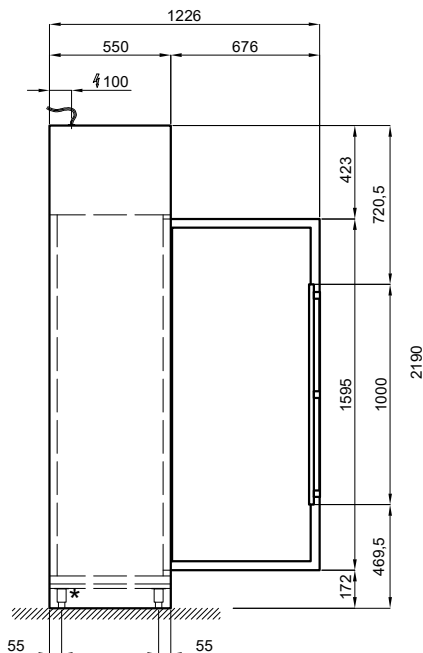
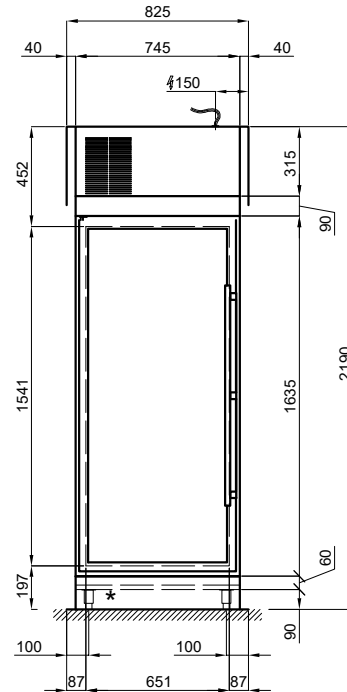
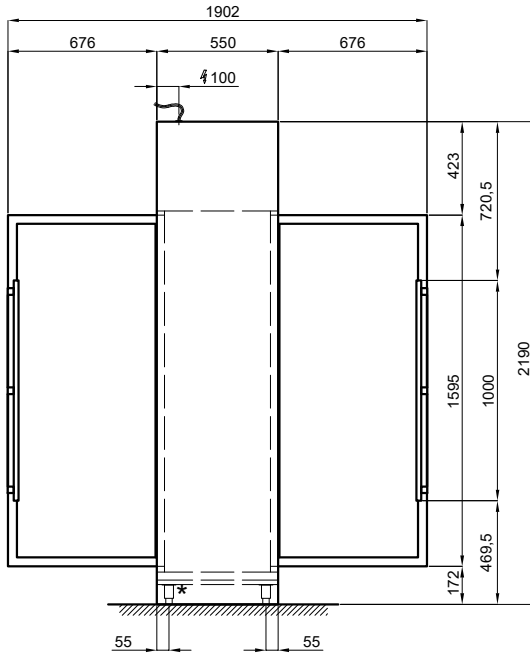
TECHNICAL DATA:





		WL6/122S	WL6/122P
External dimensions (WxDxH)	cm	82,5 x 55 x 220	82,5 x 55 x 220
Doors	nr	1 one-side	1 pass-through
Bottles max capacity	nr	128	128
Refrigeration type	nr	ventilated	ventilated
Max absorbed power **	W	430	430
Refrigerated power **	W	490	490
Temperature*	°C	+4/+16	+4/+16
Gas		R290	R290
Defrosting system		Electric automatic	Electric automatic
Noise level of condensing unit	dB(A)	59,3	59,3
Input voltage		1x230V/50Hz	1x230V/50Hz
Climatic class		4	4

* Ambient temperature +26°C / **Evap. -10°C cond. +45°C

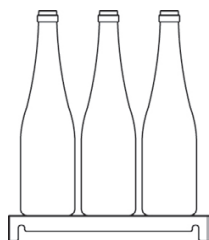
INSTALLATION DIAGRAM:



 MAX ABSORBED POWER : 434 W
 INPUT VOLTAGE : 230 V ~ 1 - 50Hz (*SHUKO PLUG) - WIRE LENGHT 2 mt

*  ONLY ON REQUEST

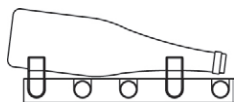
ACCESSORIES AND OVERPRICES ON REQUEST:



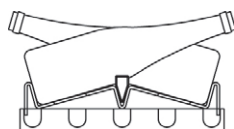
60000700 SR5/01 S/s shelf (no. 32 bottles capacity)



60000705 ST5/02 S/s horizontal bottle-handlings tubes (no. 6 bottles capacity)



60000710 SC5/03 Plexiglas horizontal flat bottle-handling (no. 7 bottles capacity)

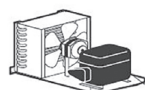


60000715 SI5/04 Plexiglas shelf for inclined bottles (no. 7 bottles capacity)



60000715 Wi-Fi supervising system for each compartment (overprice)

60000850 color finishing (overprice)



40200180 Condensing unit 1/4 Hp (10 mt max distance)

40200560 60Hz frequency

----- Warm light on request (2700 K)

----- Prearranged version on request